

BUILD ME
Pages 1-10



JOIN THE COMMUNITY
Pages 30-35



RIDE ME
Pages 11-20



MAINTAIN ME
Pages 21-29



ENVIRONMENTAL PLEDGE
Pages 36-41





**SCAN HERE TO
REGISTER YOUR REID**



@REIDBIKES   

REID  **flite pro**

OWNER'S PACK



**SCAN HERE TO
REGISTER YOUR REID**



BUILD ME

1

2



1. The scooter is intended for riders older than 16 years. Children shall not play with the appliance. Children should not play with the Scooter or parts of it nor should cleaning or maintenance be done by children. Do not ride the Scooter if you suffer from reduced physical, sensorial or mental capabilities. Riders with a lack of experience or knowledge should drive carefully.
2. This manual can also be downloaded from the website: www.reidbikes.com
3. **WARNING:** For the purposes of recharging the battery, only use the detachable supply unit provided with this appliance.
4. When product is discarded:
 - (1) the battery must be removed from the appliance before it is scrapped;
 - (2) the appliance must be disconnected from the supply mains when removing the battery;
 - (3) the battery is to be disposed safely
5. This appliance contains batteries that are non-replaceable.

About The Manual

This manual applies to your Reid Flight Pro electric scooter. Please read the manual carefully to ensure that:

1. You quickly grasp the basic operating procedures and riding methods of your Flight Pro electric scooter.
2. You familiarise yourself with safe driving rules for a safe and enjoyable scooter experience.
3. You understand the composition and safety of your Flight Pro electric scooter.

If you have any questions or need more information, please visit www.reidbikes.com

Please pay attention to the following signs and relating content:



Dangers!
Could cause serious property damage or personal injury

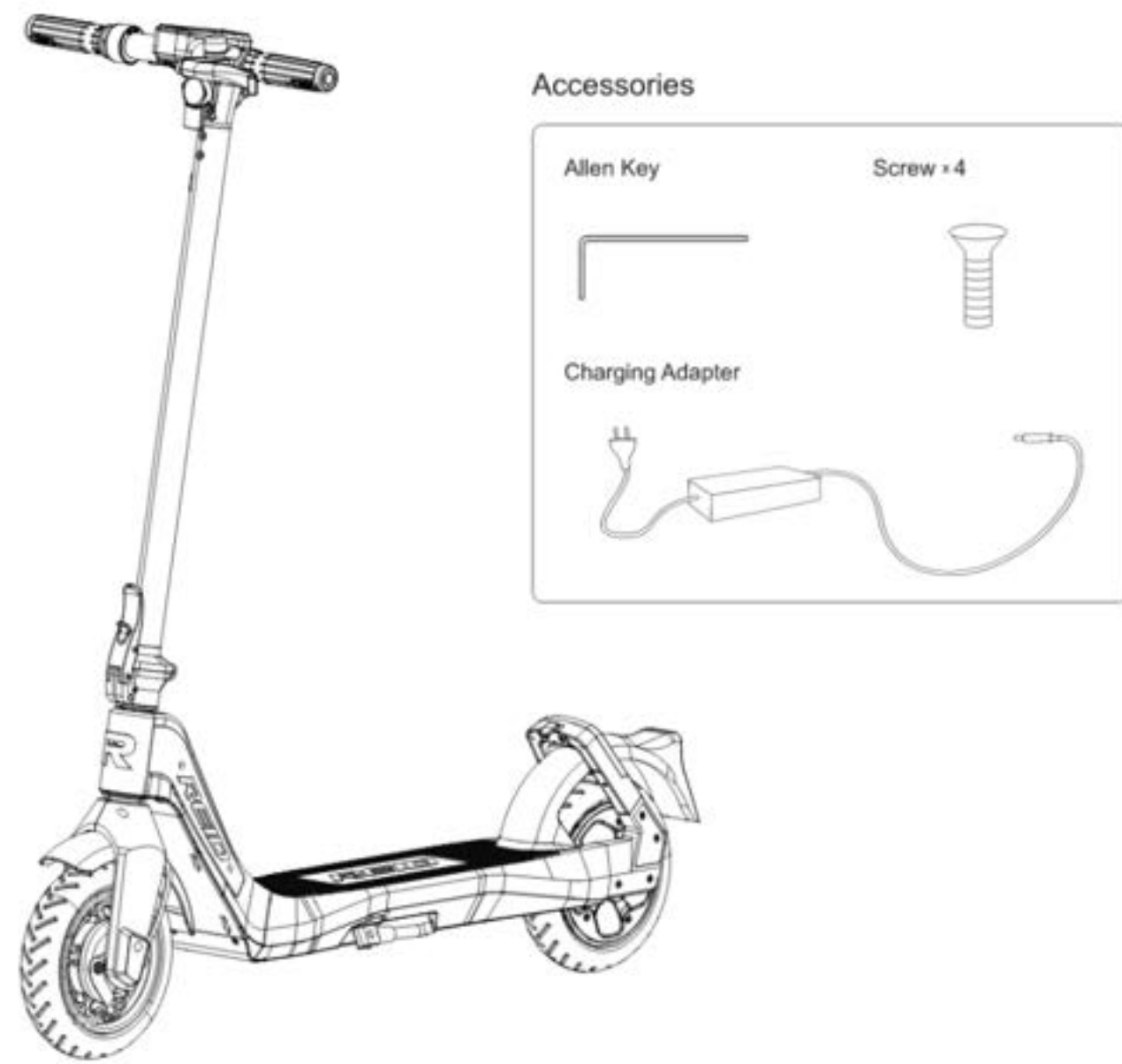


Warnings!
Improper operations can lead to the malfunction of the product



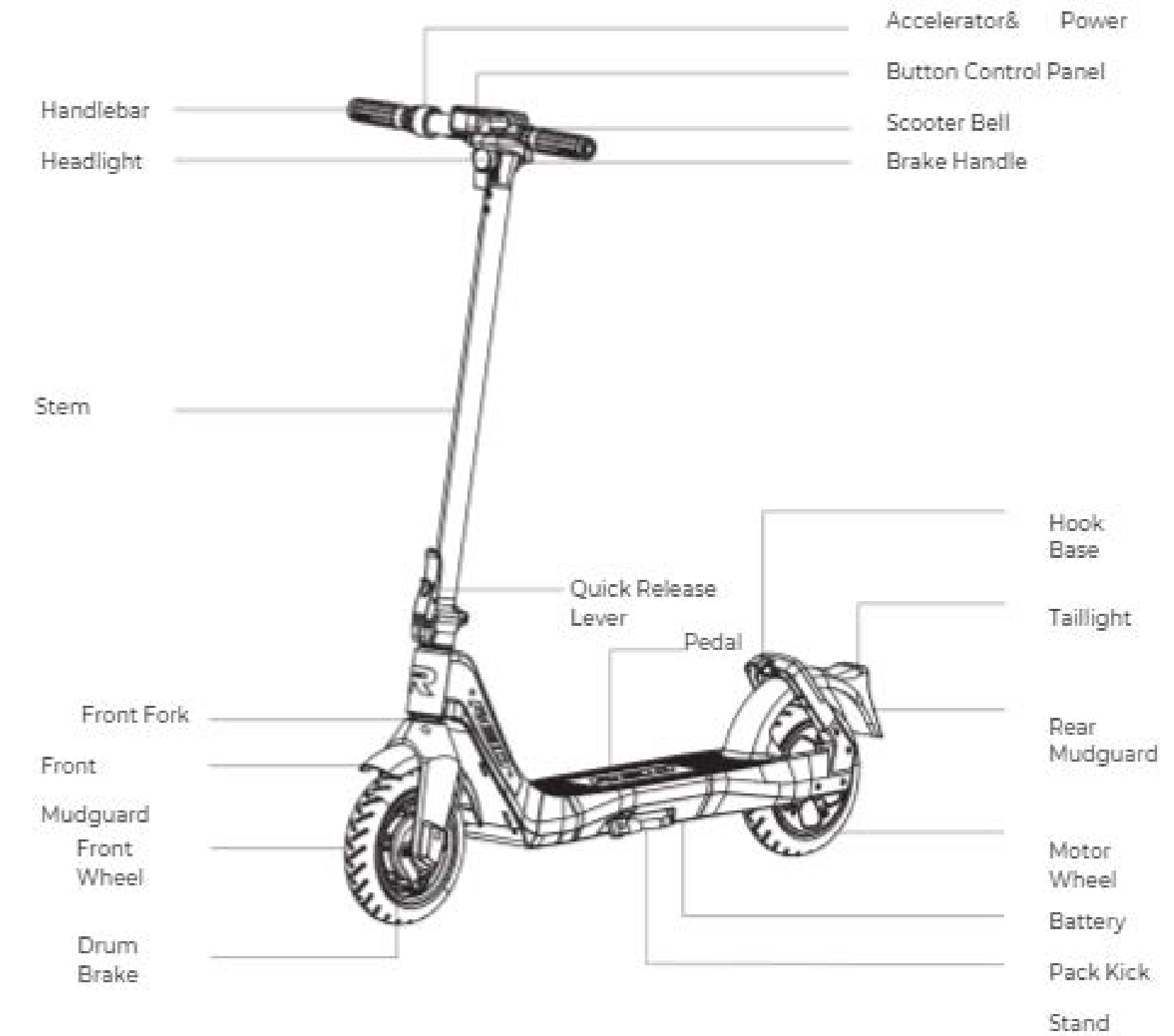
Information tips

What Comes In The Box



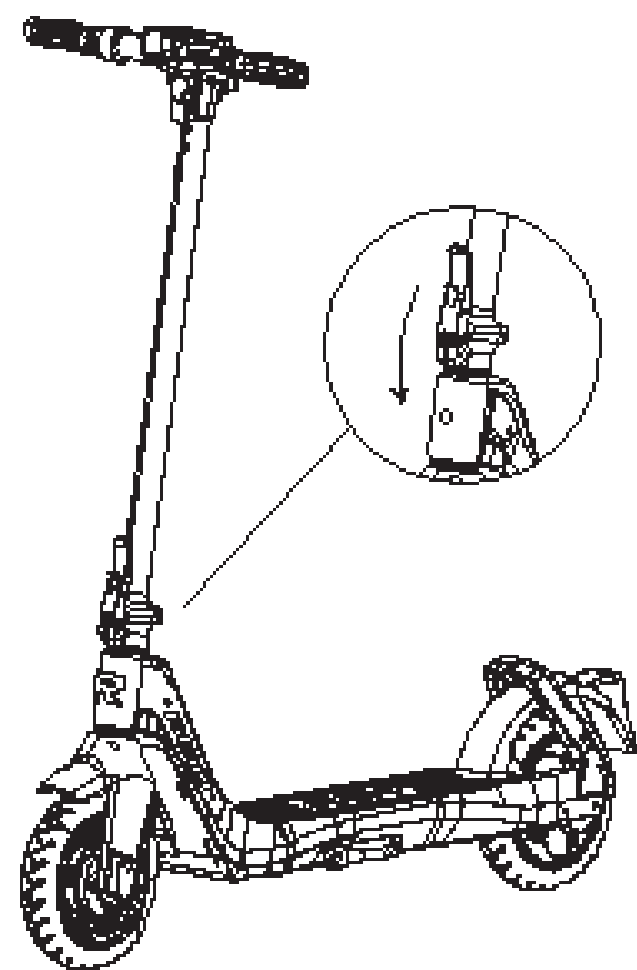
*Please check carefully that the parts in the package are intact.

Components



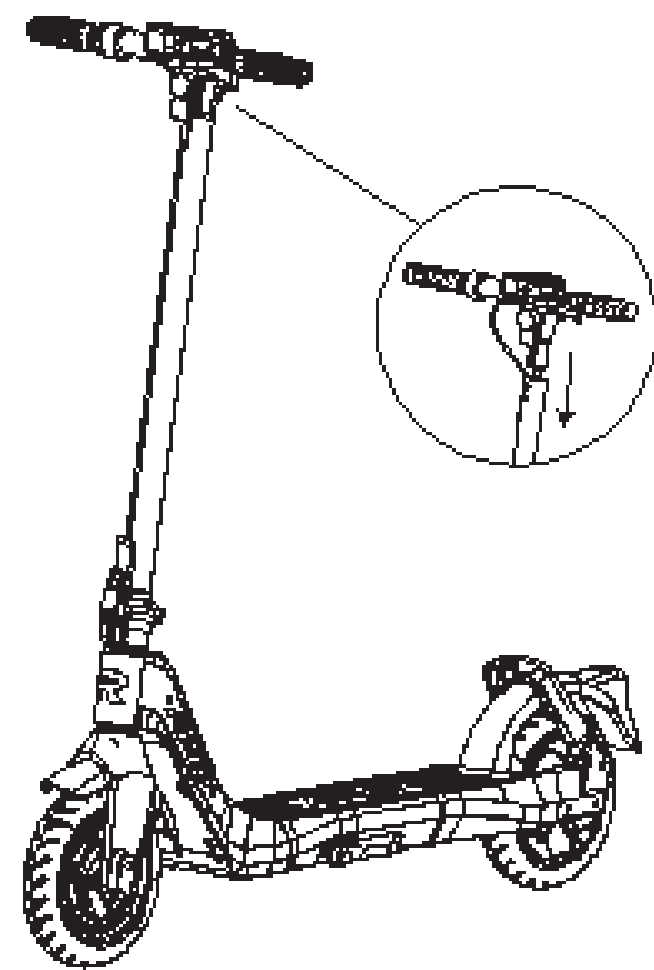
Assembly and Set Up

1. Fold the handlebar stem up, fasten it, and put down the kickstand

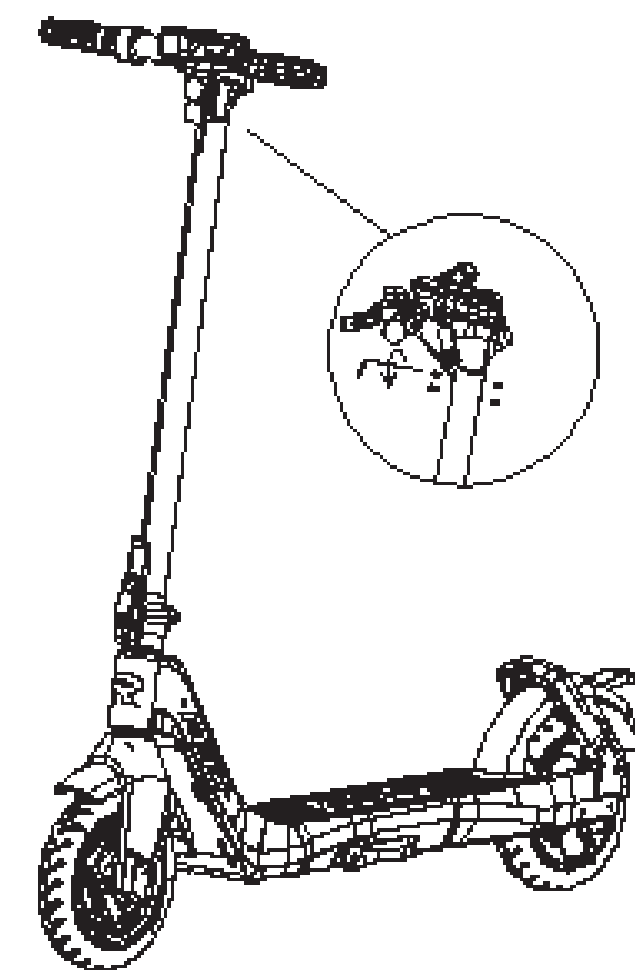


7

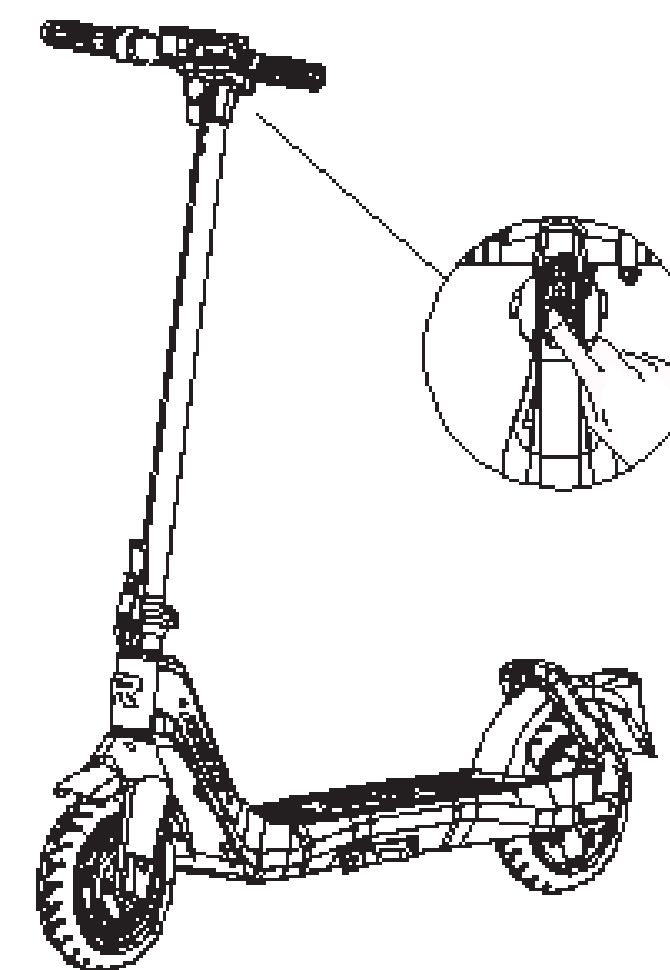
2. Install the handlebar onto the stem



3. Tighten the screws onto both sides of the stem with the T-shaped Allen key



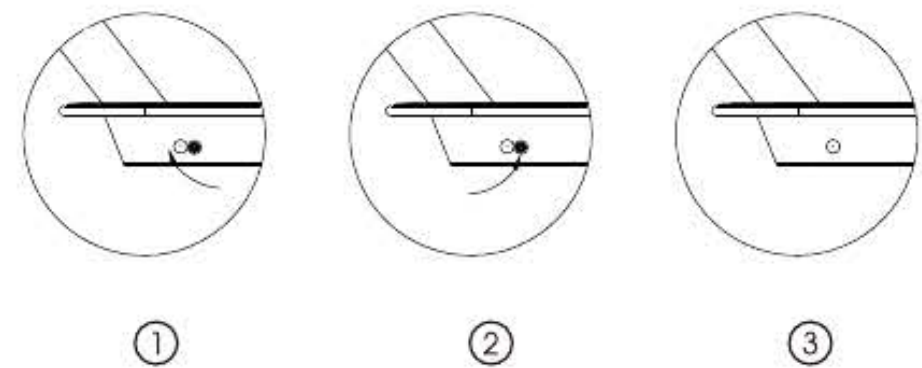
4. After the assembly, press the power button to check if it's working properly.



8

Charging your eScooter

- Open rubber cap.
- Insert in the charging plug.
- Close the rubber cap, after charging is completed.



Charging condition description:

The scooter is fully charged when the LED on the charger changes from RED (charging) to GREEN (trickle charge)

Safety Instructions

Your Reid eScooter is a sporting entertainment tool that is not a vehicle. If you drive it into a public area there are multiple safety risks not just to yourself but also to others. Strictly follow the instructions in this manual, to protect yours and others safety and to ensure compliance with national and provincial regulations and traffic regulations. It is important to understand that if you decide to take your Reid eScooter on a public road or other public place, you may be exposed to the risk of unauthorised driving / improper operation of your eScooter, even if you are in full compliance with our safe driving guide. You must strictly follow the safety requirements of this manual where there are no national standards and regulations for electric scooters. Reid shall not be liable for any liability, personal injury, accident, legal dispute and all other unfavourable events resulting from the use of violating the instructions indicated in this manual.

The faster the eScooter is driving, the longer the brakes need and on some smooth surfaces, using the left-hand brake can cause the wheels to slip and lose balance or even fall. Therefore it is important to be vigilant and maintain the proper speed during driving, whilst maintaining a reasonable safety distance to others. Please be vigilant and drive at low speeds before entering unfamiliar terrain.

Do not lend your Reid eScooter to a person who has never ridden it before to avoid injury. If you do lend your eScooter to someone, be sure to be responsible for the safety of them, you should teach them how to ride and tell them of how to ride safely, wearing the right safety gear.

Please check your Reid eScooter every time before driving. If you find that parts are loose, the battery life is minimum or there is abnormal sound or malfunction, then please stop using it immediately and do not force it to drive.

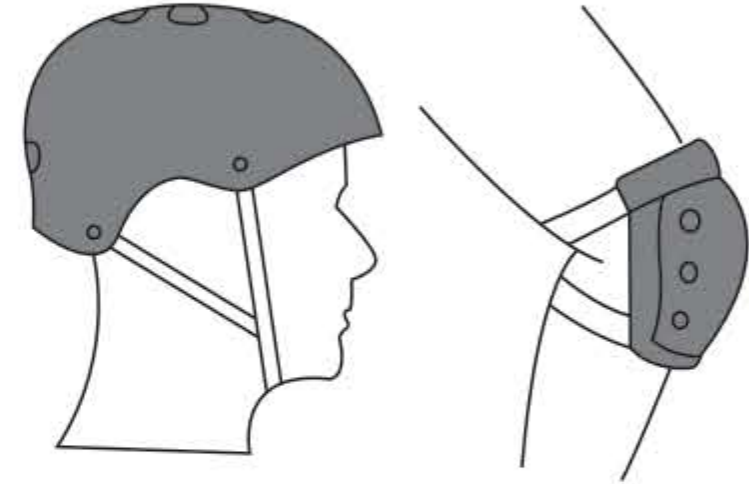
RIDE ME

11

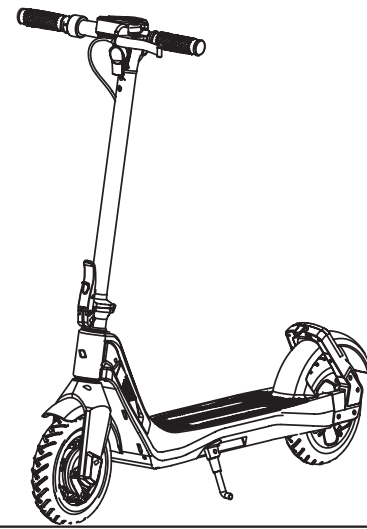


12

How To Ride

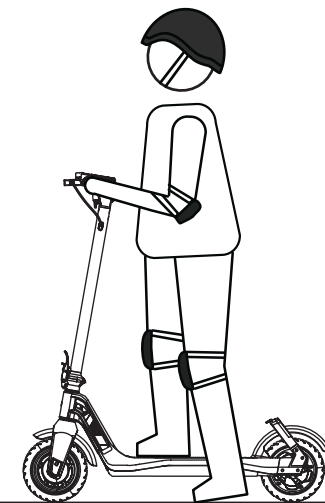


*There are risks of falling and injury when riding, so please wear a helmet and protective gear as shown in the picture.

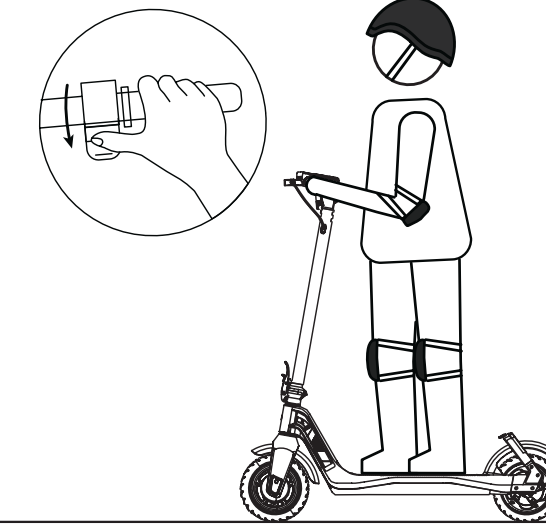
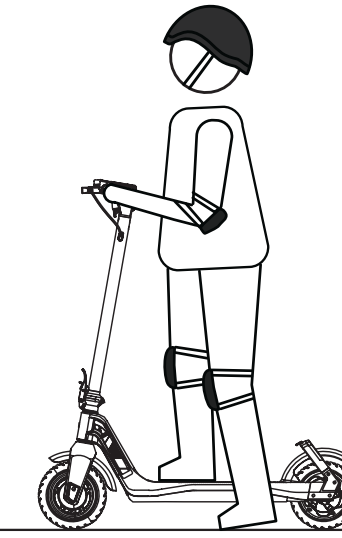


1. Turn on the power and check the power indicator.

13

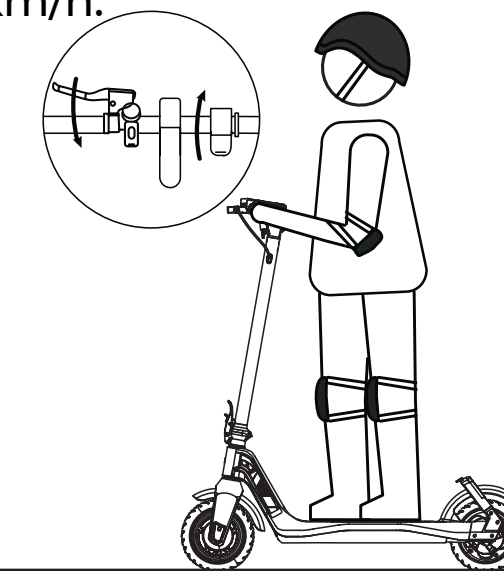


2. One foot stands on the deck, the other foot kicks backward.

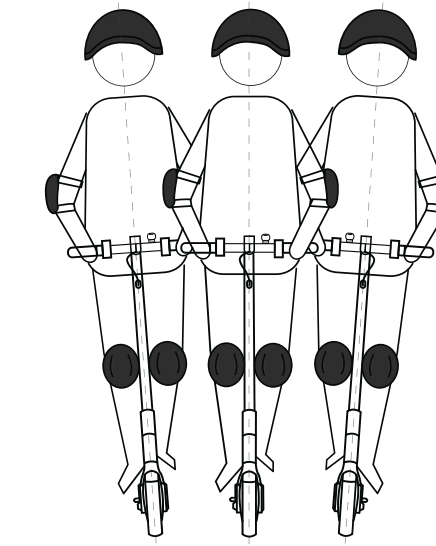


3. When the scooter starts to coast, put both feet on the deck and press the accelerator. Note: The accelerator initiates once the coasting speed exceeds 5 km/h.

4. When the scooter is at a full stop, the accelerator automatically turns off. To restart the scooter, it is necessary to repeat step 2.



5. Release the accelerator and the kinetic energy recovery system (KERS) initiates automatically to brake slowly; squeeze the brake lever for a sudden brake.



6. Tilt your body to the steering direction as you turn, and slowly turn the handlebar.

14

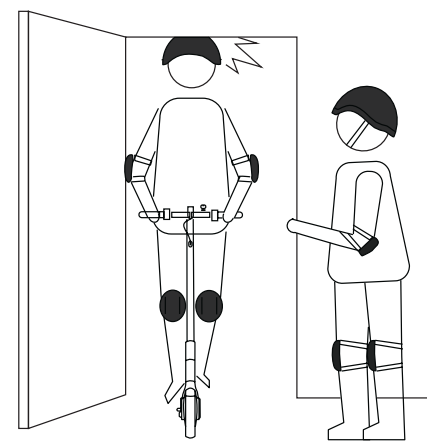
Riding Safely



⚠ Do not ride in the rain.



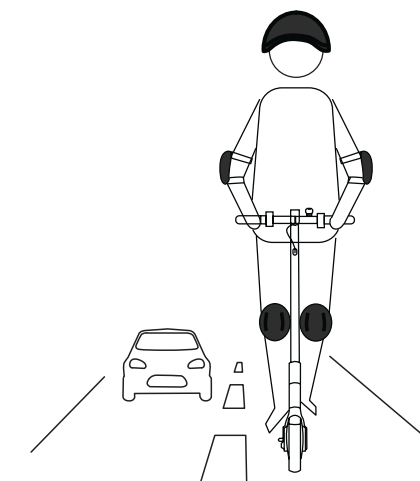
⚠ Keep your speed between 5-10 km/h when you ride through speed bumps, elevator door stills, bumpy roads or other uneven surfaces. Slightly bend your knee to better adjust mentioned surfaces.



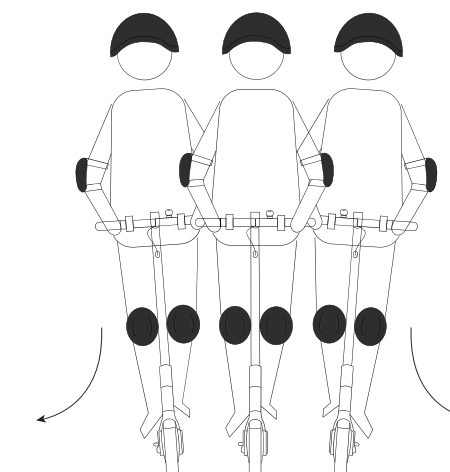
⚠ Avoid hitting your head on door frames, elevators, and other overhead obstacles.



⚠ Do not accelerate when going downhill, and brake in time to slow down. When encountering a steep incline, you need to step off the scooter and push, do not risk riding up



⊗ Do not ride in traffic lanes or residential areas where vehicles and pedestrians are both allowed.



⊗ Do not abruptly change the steering direction at high speed.



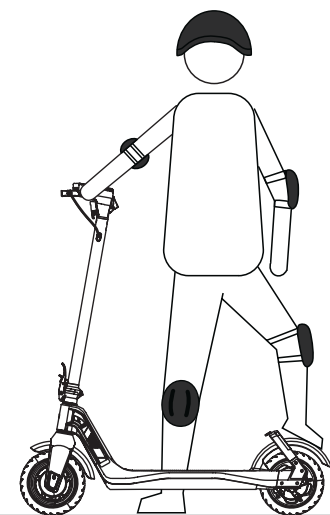
⊗ Do not ride through puddles or any other (water) obstacles. In such a case please lower your speed and bypass the obstacle.



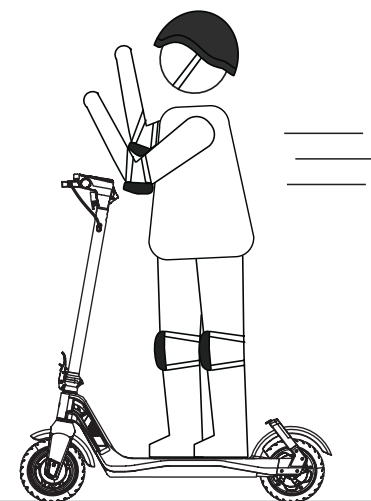
⊗ Do not ride with anyone else, including children

Warning Reminder

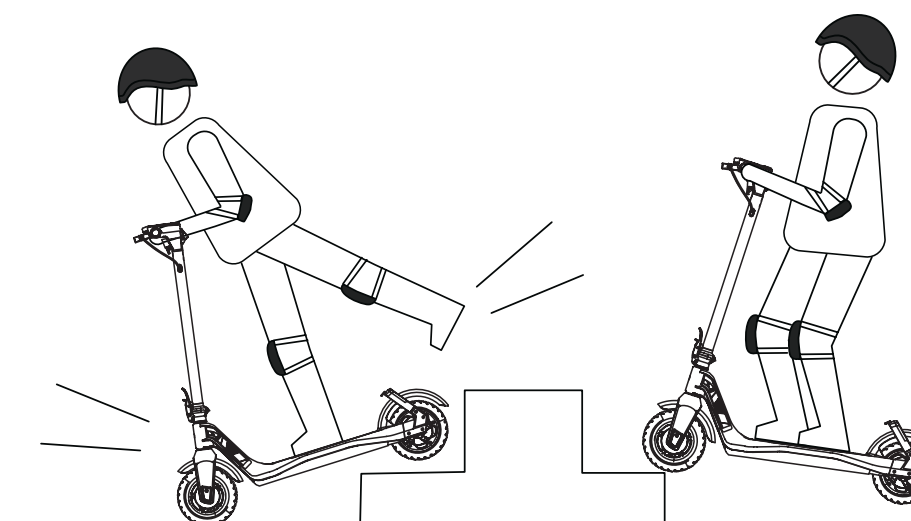
Do not try to do any dangerous movements.



⊗ Do not keep your feet on the rear Mudguard.

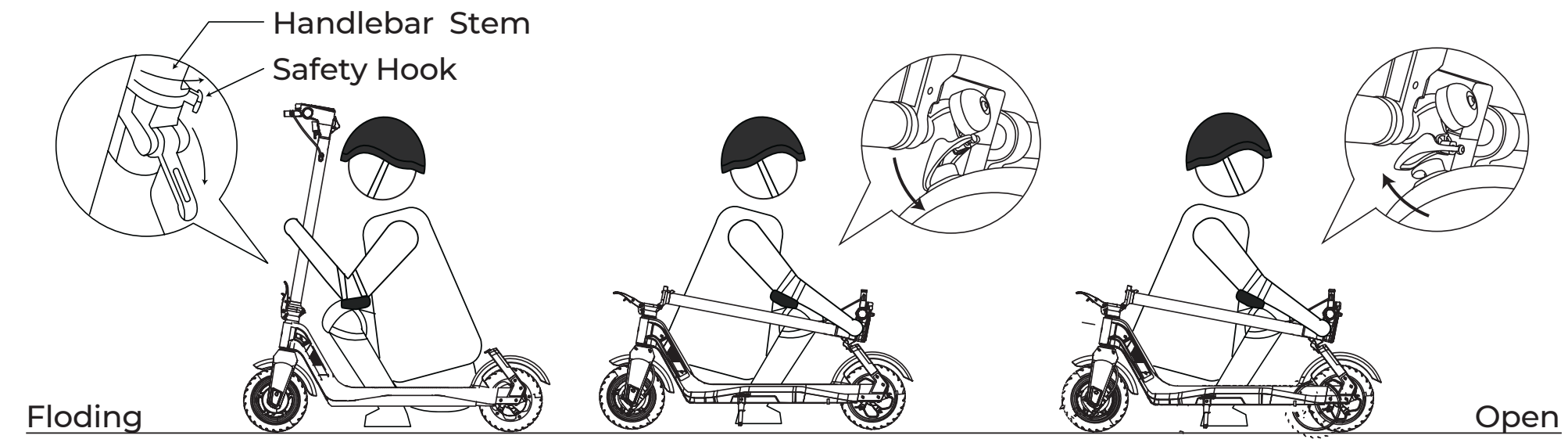


⊗ Do not let go of the handlebar while riding.

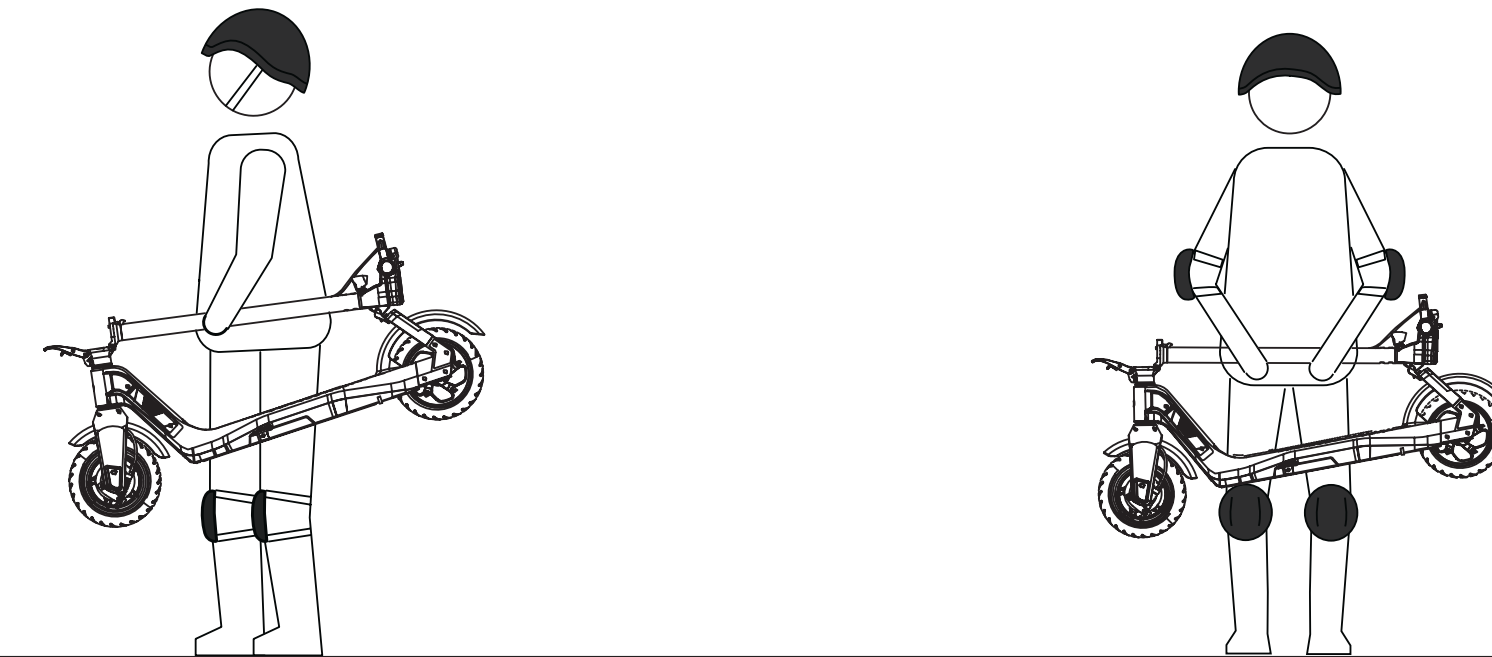


⊗ Do not try riding up or down stairs, nor try jumping over obstacles.

Folding and Transportation



The scooter needs to be turned off before folding. Hold the handlebar stem, turn it counterclockwise to open the safety hook and open the quick release lever. Align the bell and the buckle and hook them. When opening, disengage the bell lever from the buckle on the mudguard. Fold the handlebar stem up, close the quick release lever and turn the handlebar stem clockwise to close the safety hook.



Hold the handlebar stem with either one hand or both hands.

A close-up, high-angle photograph of a grey bicycle handlebar. The handlebar is the central focus, extending from the left towards the right. On the left side, a shift lever is visible, with the brand name 'REID' printed on its upper part. Below the shift lever, a brake lever is mounted. The handlebar has a textured grip area. The background is dark and out of focus, emphasizing the metallic and plastic components of the handlebar.

MAINTAIN ME

Daily Maintenance

Electric scooter cleaning and storage

If there is a mark on the body of your Reid eScooter, wipe it with a small amount of water with a soft cloth. If it is difficult to clean, you can use a toothbrush to brush it repeatedly then use a damp cloth to clean in. If the body has plastic scratches, you can use sandpaper or other abrasive materials for polishing.

1. Do not use alcohol, gasoline, kerosene or other corrosive, volatile solvents to clean, otherwise it will seriously damage the body and internal structure. It is forbidden to use a pressure fun spray and flush. Make sure that the charging cable is unplugged and the rubber cap has been tightened when cleaning, otherwise it may cause an electric shock or accident due to water intake.
2. Store you Reid eScooter in a dry and cool room as much as possible to avoid accelerating of ageing. Failure to do so will reduce the usage life of the battery over time.
3. When the scooter is fully charged and not in use, it needs to be recharged every 3 months to avoid battery over-discharge protection.

Do not remove the battery. Removing the battery is complicated and can alter the operation of the machine: You can contact an authorized repairer if the product is still guaranteed. If the product is not guaranteed you can contact any specialized repairer of your choice. You can contact us for customer service
Removing the wheels is complicated and incorrect assembly can lead to instability and malfunctions.

Do not place the battery in an environment where the ambient temperature is higher than 50°C or lower than -20°C (e.g., do not leave the scooter or the battery pack in a car under direct sunlight for an extended time). Do not throw the battery pack into fire as it may lead to battery failure, battery overheating, and even another fire. If the scooter is expected to be left idle for more than 30 days, please fully charge the battery and place it in a dry and cool place. Keep in mind to recharge it every 60 days to protect the battery from potential damage which is beyond limited warranty.

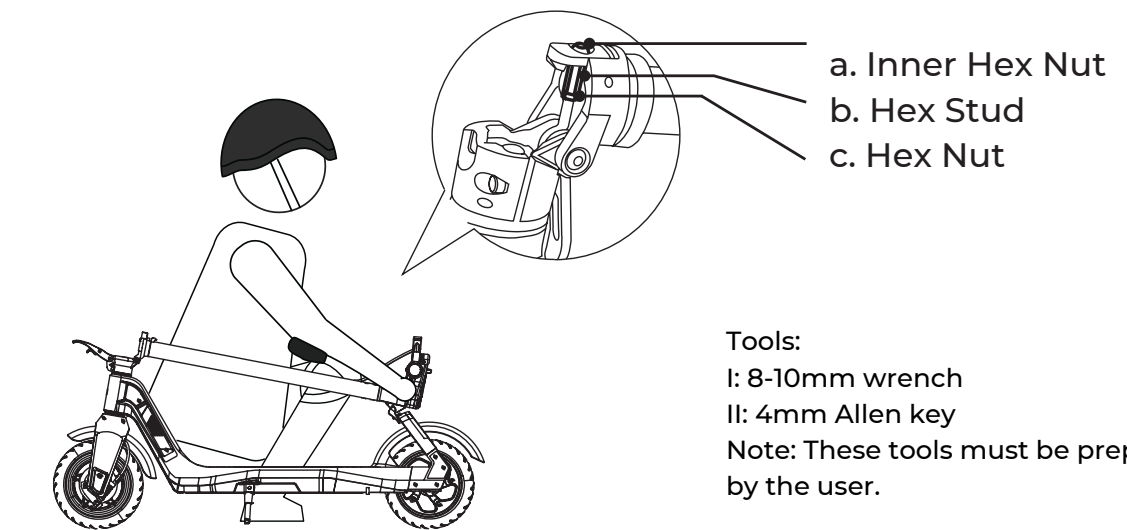
Scooter shall be only be used with original batteries and charging of the Scooter shall only be done by the original charging adapter supplied with the Scooter (or any battery model or charging adapter model approved by the manufacturer as compatible). Always charge before exhausting the battery to prolong the battery's lifespan. The battery pack performs better at normal temperature, and poor when it is below 0°C. For instance, when it is below -20°C, the riding range is only half or less at normal state. When the temperature rises, the riding range restores.

Adjusting the handlebar:

Prolonged use of the scooter may cause the screws to loosen and the handlebar stem to become unstable. If you notice that your handlebar stem is wobbling when riding, follow the steps below.

1. In the folded state (see page 12), use tool I to loosen "c" (in the direction of clockwise).
2. Use tool I to loosen "b" (clockwise).
3. Use tool II to adjust "a" (clockwise) to the position appropriate, and use tool I to tighten "b" (counterclockwise).
4. Raise the stem on the handlebar, close the quick release lever and turn the stem on the handlebar clockwise to close the snap hook.
5. Shake the handlebar stem to see if the problem has been resolved. If not, repeat steps 2 and 3. If it has been resolved, continue with step 6.
6. Put the scooter back in the folded state and use tool I to tighten "c" (counterclockwise).

* Step 6 is mandatory



Parameter Table

Parameters	Description	Specifications
Product Dimensions	LxWxH(MM)	1115*460*1190
	Folding Size LxWxH(MM)	1115*460*505
Weight	Total Scooter(KG)	18
Ride Limits	Rider Weight Maximum(KG)	100
	Rider Weight Minimum(KG)	30
	Rider Age	16-60
Main Parameter	Rider Height(CM)	120-200
	Max Speed(KM/h)	25
	Max Mileage(KM)	40 (General range)
	Max Slope	20
	Road	Shall not exceed step above 1 cm, and shall not exceed gap over 3 cm
	Working Temperture	-10-40°C
	Charging Temperature	0-40°C
	Stock Temperature	-20-45°C
	waterproof level	IP54

Parameters	Description	Specifications
Battery Pack	Rated voltage(VDC)	36V
	Maximum Charge Voltage(VDC)	42V
	Rated Capacity	350Wh
	Protection	Temperature, short circuit, undervoltage, overcurrent, overcharge, overdischarge
Motor	Rated Power(W)	350W
	Max. Power(W)	700W
Charger	Rated Power(W)	84W
	Rated Voltage input(VAC)	100-240VAC
	Rated Voltage output(VDC)	42V
	Rated Current Output(A)	2.0A
	Charging time(H)	Approx. 3-4

Height: The height of the body to the ground.

Endurance: Electric scooters are fully charged, load is 100kg, ambient temperature is 25°C without wind, maximum speed is 25kph. However, the actual cruising range varies with driving habit, roads, ambient temperature, wind speed and other factors.

Note: Data and parameters vary by mode. Subject to change without notice.

Warning

1. To reduce the risk of injury, user must read the instructions manual.
2. Prolonged exposure to UV rays, rain and the elements may damage the enclosed materials.
3. Store indoors when not in use.
4. Risk of fire, no user serviceable parts
5. Use only with specified charger in instructions

Warranty

Your eScooter has a 1-year warranty from the date of purchase.

If you're having an issue with your eScooter, we want to help resolve it. In the first instance, please contact the store where you purchased the product. If you experience any difficulty settling a warranty claim with your retailer, please contact us directly. Likewise, should anything feel loose or not right then please stop using your product immediately and get in contact with the retailer you purchased it from or us directly.

Register your eScooter with us via the QR code below so we can quickly and easily verify your purchase for your warranty. Should your eScooter ever be stolen, you can also get in touch with us to retrieve your serial number which is often wanted by the authorities.



Battery Care

- Never leave batteries charging in a building that is unattended or overnight when you are sleeping in the property
- Unplug or disconnect from the battery once charging is complete
- Do not allow the battery to overheat and ensure it is charged on a hard surface where heat can disperse
- Monitor and assess for damage to the battery and the charger, following the manufacturer's guidance for replacement or repairs
- Ensure smoke alarms – preferably interlinked detectors around the property - are fitted where charging is taking place and, if possible, store and charge away from main living

Error Codes

Error List	
E0	Communication Error
E1	Accelerator Error
E2	Battery Error
E3	Motor Phase Error
E4	Controller Error
E5	Motor Hall Error
E6	E-Brake Error

Beep Warnings

Beep Warnings	
Power on or power off	One beep
Mode switch	One beep
Error warning	Error code and beep
Low voltage warning	Two beeps
Enter cruise controller	Three beeps

Button Descriptions

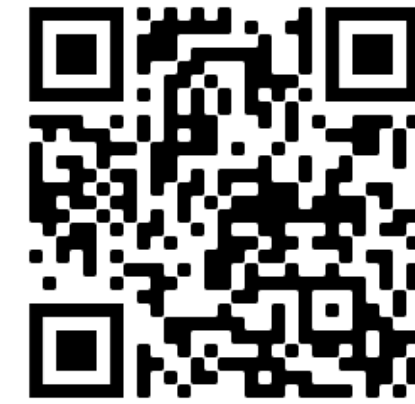
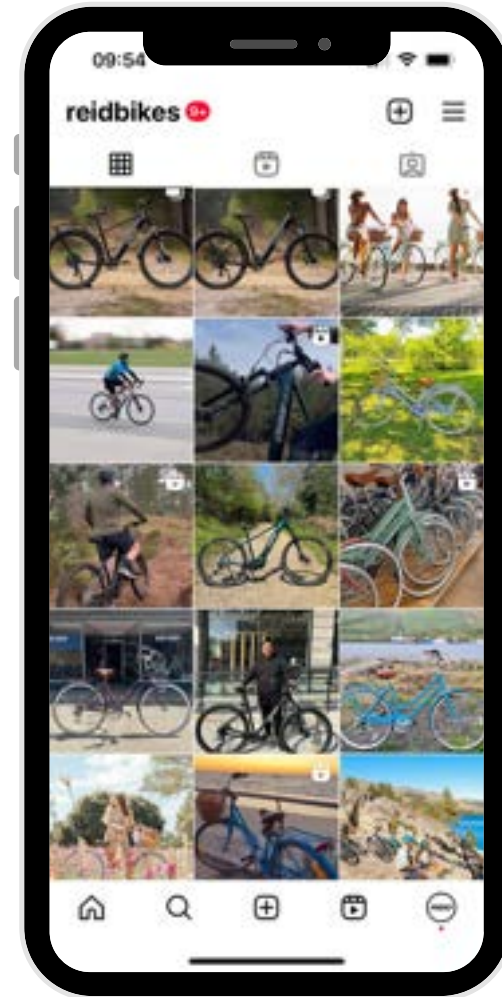
ZS9 button function description			
Power button (Left)	Turn on	Short press once	Off: Short press on the switch to turn on the scooter On: Press and hold the switch for more than 3 seconds to switch off the
	Turn off	Press and hold for 3 seconds	
	Switching the lights	Short press once	Short press once to switch on/off headlights
Control buttons (Right)	Speed Mode	Short press once	Short press the switch once within 1 second to switch 3 speed gears (1-2-3-1-2-3
	Unit Switching	Short press 2 times continuously	Short press twice within 1 second to switch km/h and mile/h
	Non-zero/zero start Mode Switching	Short press 4 times continuously	Short press the button 4 times within 1 second to switch non-zero and zero start modes
	Cruise control on/off	Press and hold for 3 seconds	Press and hold the switch for more than 3 seconds to switch on or off The fixed speed cruise function.
The whole scooter defaults to non-zero start and having fixed speed cruise control. Can be switched on and off. Return to default after switching off.			



JOIN THE COMMUNITY

Instagram

Follow us on Instagram @reidbikes to experience the best of life on two wheels and more. We post everyday with new products, outdoor adventures and the latest eScooter news! We love sharing photos from our community of Reid Riders so use #reidbikes and make sure to tag us for your chance to be featured!



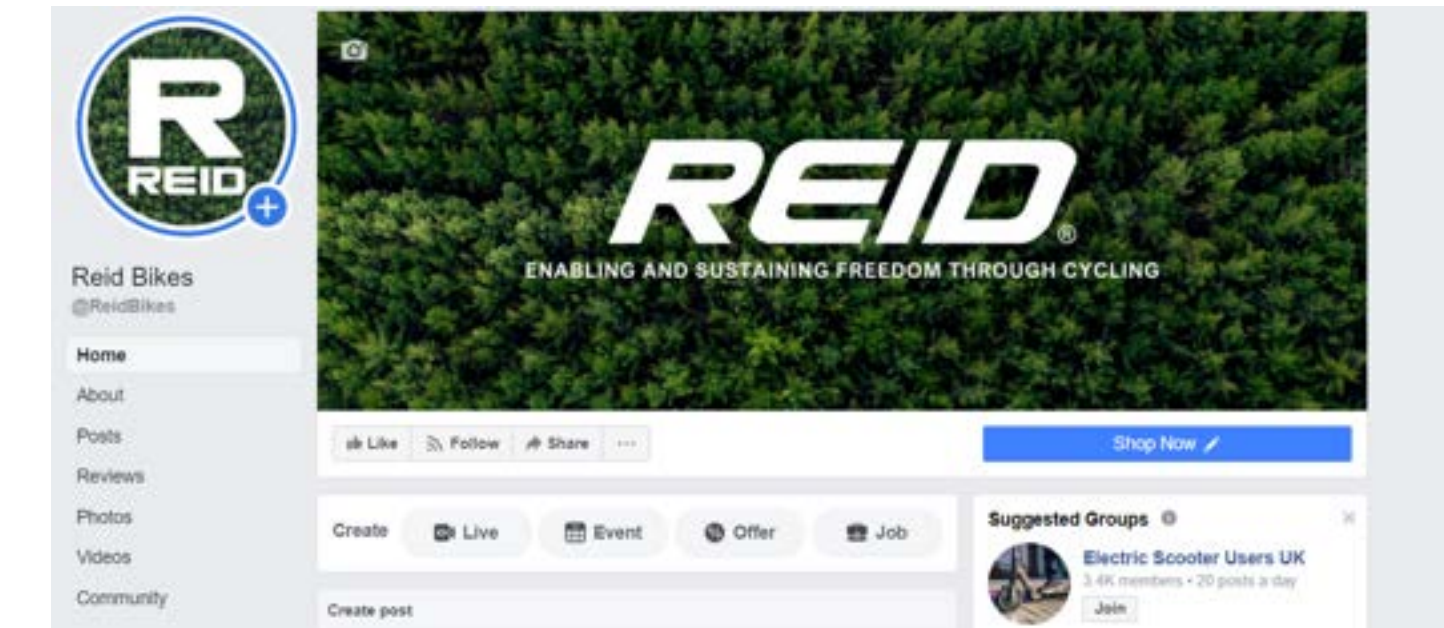
FOLLOW US ON INSTAGRAM

Facebook

We have dedicated Facebook pages for many of the countries we're found in. These pages will give you more Reid information specific to your country, so follow us to keep with the all the latest happenings.



FOLLOW US ON FACEBOOK



TikTok

Follow us on TikTok @reidbikes to see new eScooter content, awesome adventure videos from Reid Riders and the latest TikTok trends!



FOLLOW US ON TIKTOK



reidbikes

We're Reid. We plant a tree for every eScooter we sell #buyoneplantone #freedom

Scan TikCode to follow me



YouTube

Subscribe to our Youtube channel for in-depth maintenance and repair guides, as well as the most inspiring ride videos from around the world to help you plan your next adventure.

We have created a dedicated video series for our eScooters including everything you need to repair and maintain them. So should you need any help, then make sure to check them out and ask any questions further questions you may have as we monitor these and reply regularly.



SUBSCRIBE TO OUR YOUTUBE CHANNEL



Reid E4 and E4 Plus Electric Scooter Showcase



Reid E4 Plus eScooter Video Series



Reid Race | E4 Plus eScooter vs Lamborghini vs Parkour...

ENVIRONMENTAL PLEDGE

A man and a woman are riding e-scooters on a paved path in a park. The man is wearing a light orange t-shirt and dark shorts, and the woman is wearing a black and white striped dress. They are riding away from the camera. In the background, there are other people, trees, and a grassy area. The scene is bright and sunny.

Recycle

Almost everything I'm packed in is recyclable, except a few plastic pieces needed to protect me on my journey to you. However none of this matters unless you take the necessary actions to recycle these, which helps to sustain the environments we love to ride in! Please recycle all you can from our carton.



Reuse

If you can't recycle then you can always reuse! 95% of the packaging we use is recyclable - but if you don't have recycling facilities near you, then you can always repurpose. Our bike carton makes a nice bed for a cat or spaceship for a child!



#BUYONEPLANTONE

We believe it is important to be constantly improving our sustainability practices so that the environments we love to ride in stay as healthy as possible.

Which is why we have decided to take an active role in tackling climate change, and have made a pledge to plant of a tree for every Reid branded product we sell.

We believe that all businesses have a responsibility to offset the carbon they use. Even though our products already help people live a more eco-friendly lifestyle, we feel an obligation to do more and help make the world a greener place!

We recently hit the milestone of over 200,000 trees planted! Thank you for contributing to this by purchasing your Reid!



SCAN TO LEARN MORE

Eden Projects

Reid have partnered with the amazing Eden Reforestation Projects who plant a tree on our behalf for every Reid branded product we sell.

Eden Projects is a 501(c)(3) charitable organisation with the objective to plant 500 million trees each year by 2025.

Now widely recognised as one of the most effective reforestation projects on the planet, Eden also provides fair wage employment to impoverished people in developing countries.

This “employ to plant” methodology delivers multiplied socioeconomic and environmental benefits and we’re honoured to be a part of this powerful global initiative.

